

Antenna, Puck

ERF4011

Description

The ERF4011 Antenna is a black 1,6 GHz GPS antenna with a RG174 cable attached and SMA (Male) connector. The RG174 cable enables it to be placed and positioned at its most suitable position. The RG174 cable has a total length of ± 1 meter. The antenna can be used for applications , such as GPS and GLONASS.



Technology

- GPS
- GLONASS



Features

Electrical Properties	Description		
Frequency marker	Frequency band MHz	Return loss dB	V.S.W.R.
1	1.200	-5.1	< 3.5
2	1.575	-8.6	< 2.2
Nominal Impedance	50 Ω		
Polarization	Linear		

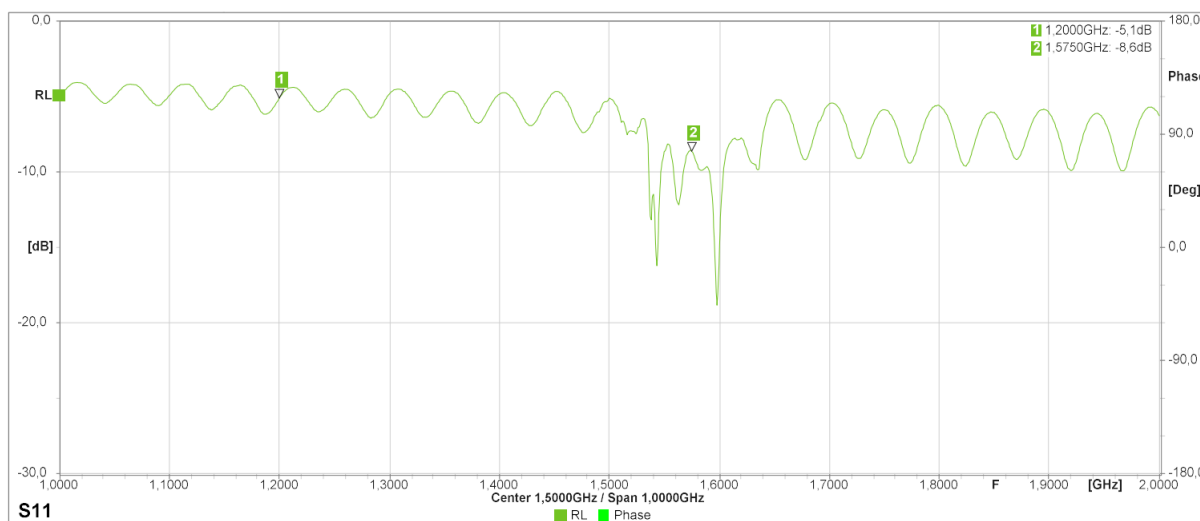
Antenna, Puck

ERF4011

Mechanical Properties	Description
Antenna	External Puck Antenna
Mounting	Screw Type
Connector	SMA (Male)
Dimensions	34.3 * 39.4 * 12.6 mm
Color	Black
Operating Temperature	-20°C~+60°C
Storage Temperature	-30°C~+70°C

Antenna Properties

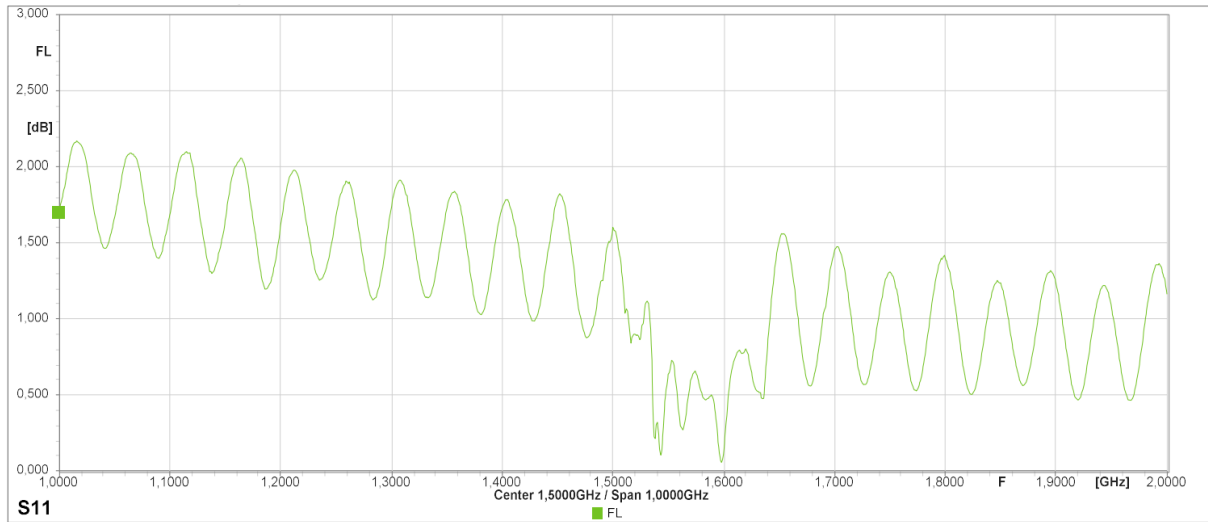
Return Loss



Antenna, Puck

ERF4011

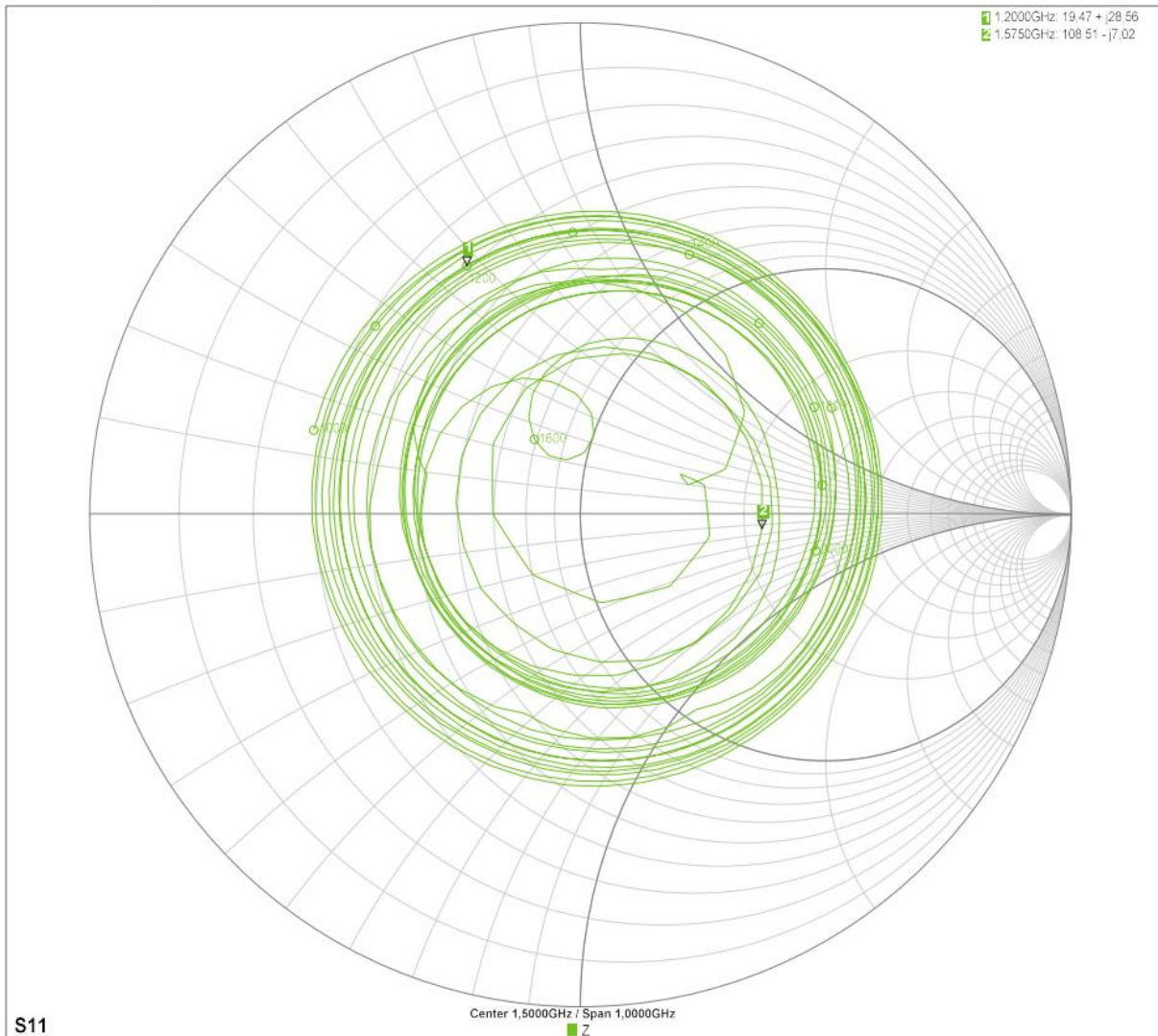
Forward Loss



Antenna, Puck

ERF4011

Impedance

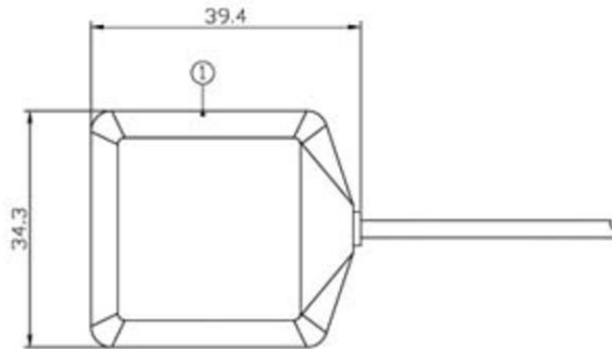


Antenna, Puck

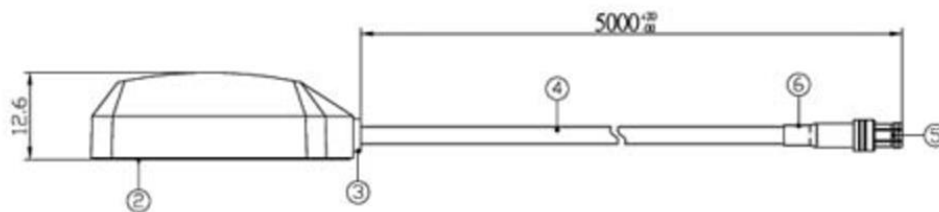
ERF4011

Dimensions

*Unit: mm



NO.	NAME	FINISH	Q. TY
01	Top cap	Black	01
02	Sticker	Silver	01
03	Waterproof o-ring	Black	01
04	RG-174 /U Cable	Black	01
05	MCX 180°(Male)	Golden plating	01
06	Heat-shrink tube	Black	01



Connector



SMA Male



SMA Female



RP-SMA Male



RP-SMA Female

The ERF4011 antenna uses the SMA Male connector.

Ordering information

Ordering can be done via www.summit-electronics.com or via info@summit-electronics.com. Please contact us for more information. Customisation of the product is available on request.

Technical support

For all product questions please contact us via info@summit-electronics.com

Document revision

Rev	Date	Changes
V01.00	06-04-2023	First issue of document